



Elite CR-33

Miniature DC-22GHz SPDT Switch

Failsafe

The CR-33 Switch is a broadband, SPDT, electromechanical, coaxial switch designed to switch a microwave signal from a common input to either of two outputs. The CR-33 Series has a higher operating Frequency and temperature range than the commercial CCR-33 series. The characteristic impedance is 50 Ohms. The switches are small with connector spacing compatible with SMA connectors.

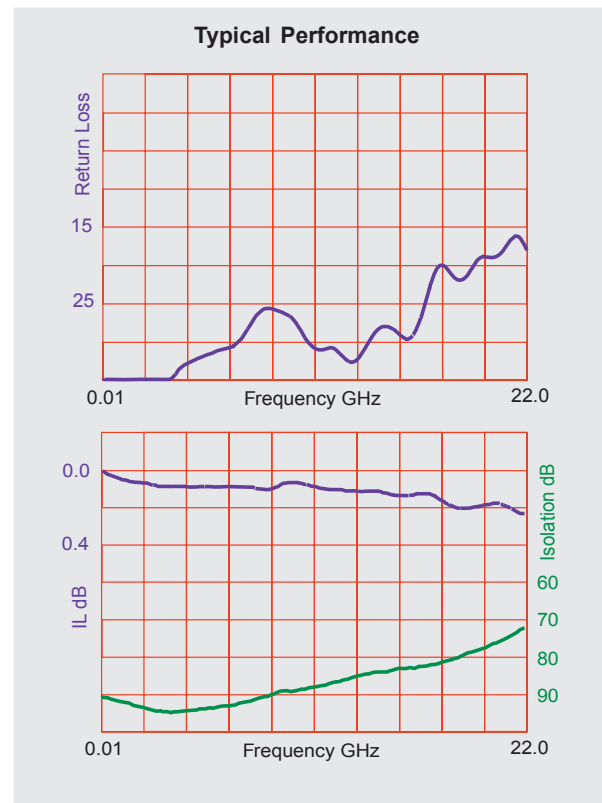
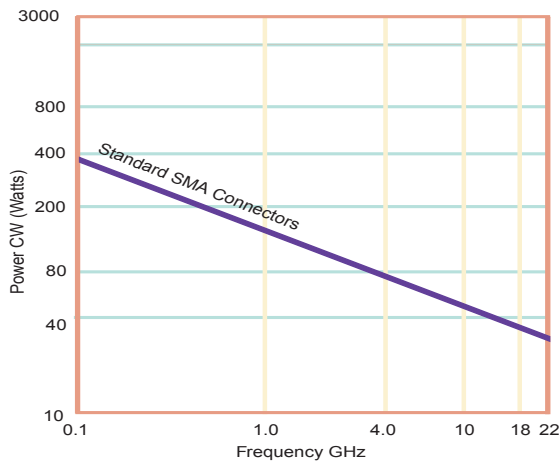
The CR-33 series switch is offered with either a failsafe or latching actuator. This design is compatible with the two most common mounting hole patterns. The CR-33 series switch is interchangeable with a variety of switches.

Specifications

- RF Contacts:** Break before make
- Actuator**

Voltage (VDC) 20°C	12	15	28
Current (mA)	200	160	90
- Switching Time:** 20 msec max
- Connectors:** SMA (f)
- Weight:** 1.65 oz. max
- Temperature Range:** -55°C to +85°C (Operating)
- Shock:** MIL-STD-202 Method 213, Condition D (500G Non Operating)
- Vibration:** MIL-STD-202 Method 214, Condition D (10G RMS Non Operating)
- Humidity:** Moisture Seal Available
- MTBF:** 7.3 Million Hours (MIL-HDBK-217F Fixed, 25°C, <1 Cycle per hour)

RF Power Handling



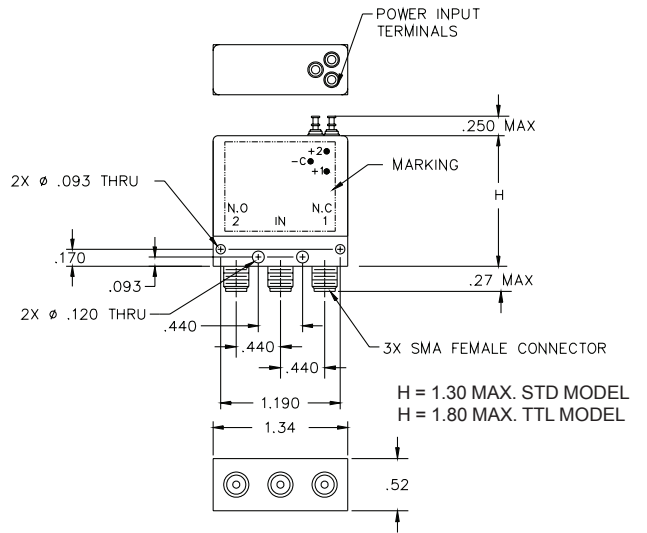
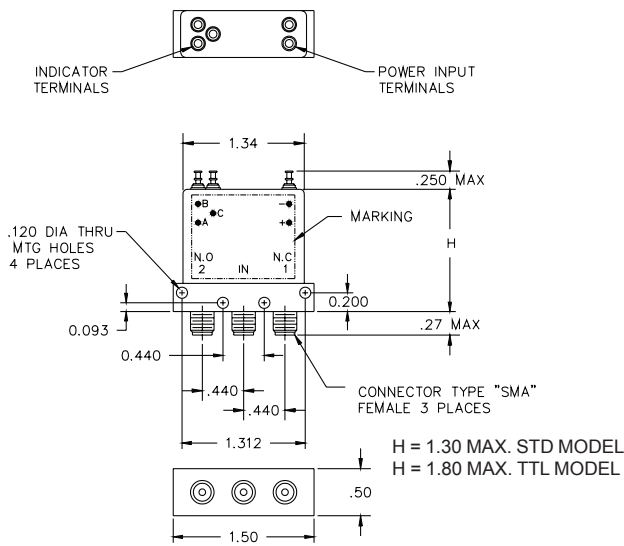
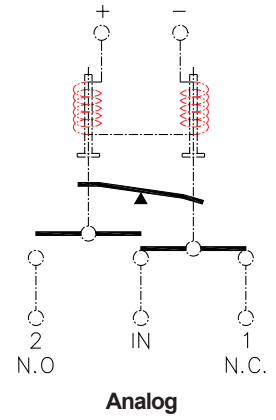
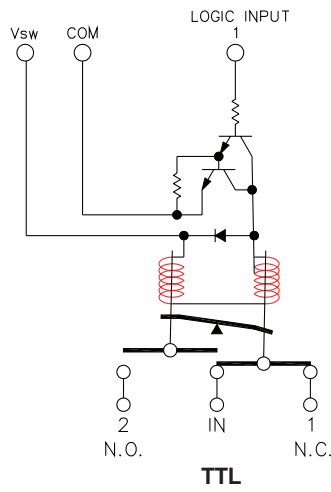
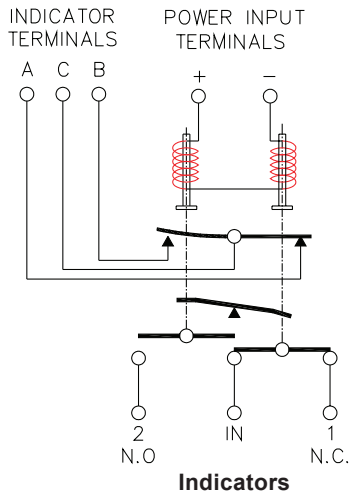
Specifications

	DC-6 GHz	6-12 GHz	12-18 GHz	18-22 GHz
VSWR (max)	1.25:1	1.40:1	1.50:1	1.60:1
Insertion Loss (min)	0.20 dB	0.40 dB	0.50 dB	0.60 dB
Isolation (max)	70.0 dB	60.0 dB	60.0 dB	50.0 dB

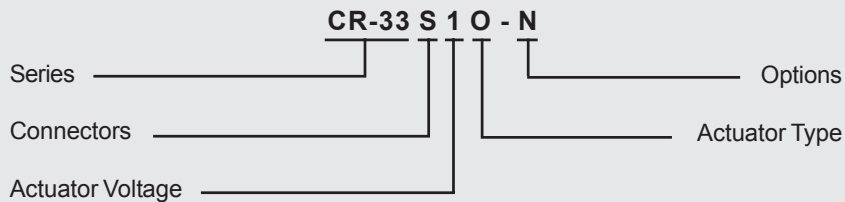
Elite CR-33

Miniature DC-22GHz SPDT Switch

Failsafe



Part Numbering System for CR-33 (Failsafe)



Connector
S: SMA Female

Actuator Voltage
1: 28Vdc Failsafe
2: 15Vdc Failsafe
3: 12Vdc Failsafe

Actuator Type
O: No Indicator Contacts
C: Indicator Contacts

Options
T: TTL Drivers with Diodes
N: Narrow Body
R: Positive + Common

For other options contact Factory